

STACK CHASE 8" FLUSH MOUNT

FMDX451



FEATURES + BENEFITS

- Metal RLM shades are spun from heavy duty aluminum.
- Polyester powder coat finish provides color retention and scratch resistance.
- White powder coat shade interior for maximum light output.
- Dimmable with a dimmable bulb and compatible dimmer (not included).
- UL Listed for Dry Location.
- Warranty: Limited 1 Year.
- Made in USA.

SPECIFICATIONS

Product Dimensions:

Width 8", Shade Height 6", Overall Height 6.625", Canopy Dia. 5"

Lamping:

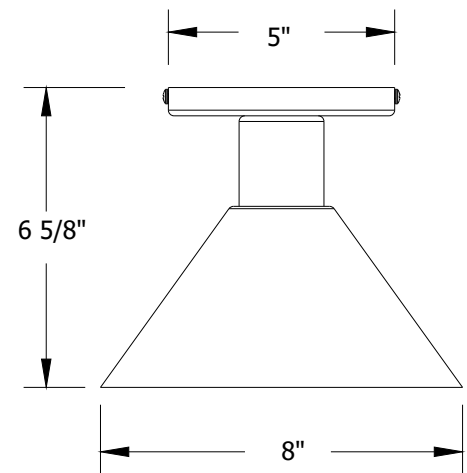
100W Medium Base per socket

Options:

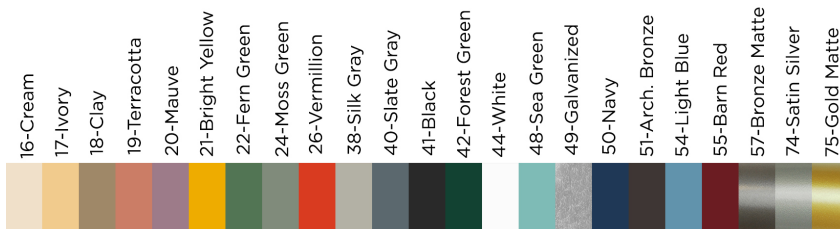
- Finish: See standard finish options below.
- Integrated LED: L10-8W, 800 Lumen, 95CRI, Adjustable CCT.

Shipping:

At Montclair Light Works we proudly manufacture, assemble, and ship your lighting fixture within 3 weeks from our factory in Montclair CA.



MADE IN THE USA



JOB/LOCATION

---

QUANTITY

---

NOTES

---